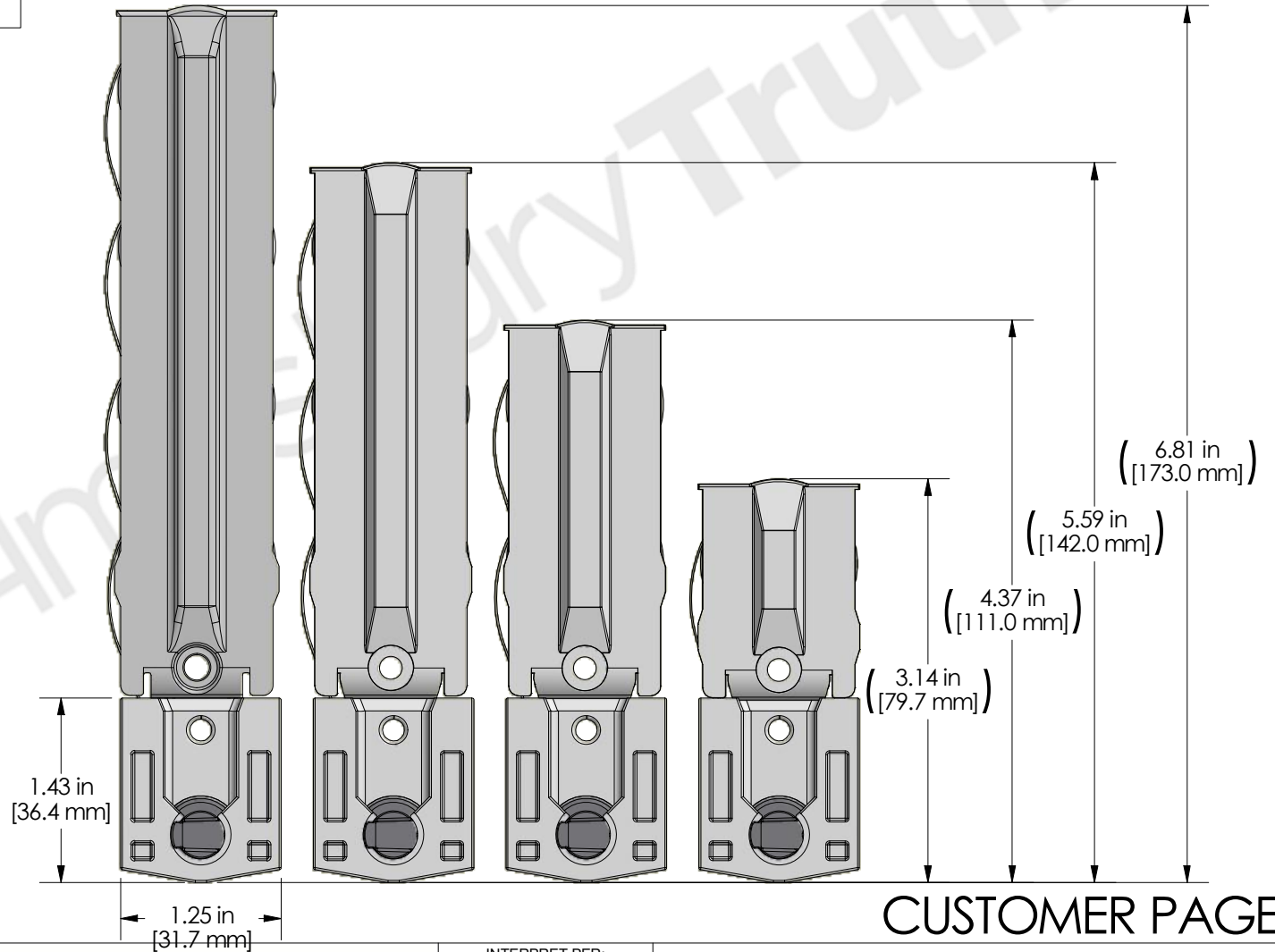
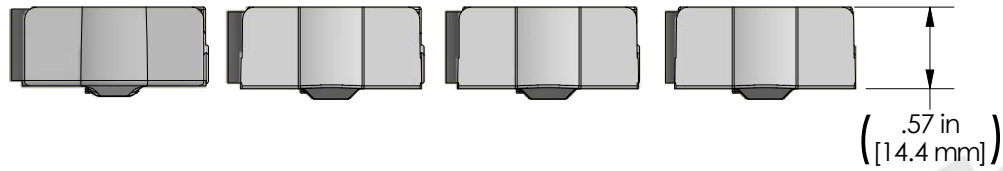
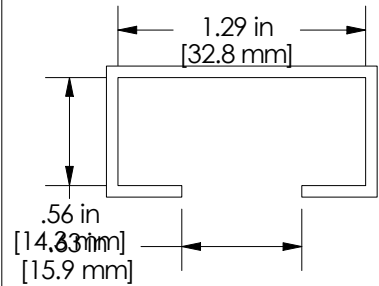


Parts List			
ITEM	QTY	PART NUMBER	DESCRIPTION
1	10	Various	Universal Spring
2	4	501052	Universal Sidelocking Shoe
3	1	801010	Universal Single Support
4	1	801020	Universal Dual Support
5	1	801030	Universal Triple Support
6	1	801040	Universal Quad Support

NOTE: MAX TRAVEL = 35"  
 MIN SASH WEIGHT = 7 LBS  
 MAX SASH WEIGHT = 80 LBS

**NOMINAL POCKET SIZE**



**CUSTOMER PAGE**

**Amesbury Truth™**  
 Engineered Solutions. Trusted Results.

THE INFORMATION CONTAINED IN THIS DRAWING IS CONFIDENTIAL AND PROPRIETARY. THIS DRAWING IS NOT TO BE COPIED OR REPRODUCED IN WHOLE OR IN PART WITHOUT EXPRESS WRITTEN PERMISSION.

INTERPRET PER:  
 ASME Y14.5M-2009

UNITS: INCH

THIRD ANGLE PROJECTION

DRAWING TITLE:  
 984 SERIES 501052

SCALE: .75

PART #:  
 984

SHEET 1 OF 1